



VXrouters

The worlds first fiber optic, non-blocking, 6.25 Gbps Video and Peripheral Router!

Thinklogical's exceptionally resilient VX routers switch virtually any desktop device. Unlike traditional routing technology, the VX Routers are true non-blocking matrix switches and leverage bi-directional signal capability, and range in size from 40 x 40 up to 320 x 320. The VX Router also provides additional flexibility to meet your precise video requirements, and can be easily expandable to provide 80 duplex ports up to 640 duplex ports, for directional video routing and switching. In addition, the VX series provides mission critical dependability and unrivalled signal integrity. Being protocol agnostic, the switch supports DVI, SDI, HD-SDI, Dual-link DVI, Dual-link SDI, USB 1.1, USB 2.0, audio, the possibilities are endless.

Massive 6.25 Gbps. of bandwidth provides pristine signal integrity, allowing for uncompressed video, with no frame dropping. Designed with our user's needs in mind the router offers a variety of interface options providing all the functions and features essential in mission critical environments. Thinklogical's advanced fiber optic technology has a proven track record with hundreds of installations worldwide, making the VX Router Series the ideal choice for those who need a scalable, flexible, and secure solution.

thinklogical[™]
www.thinklogical.com

router VX320

6.25 Gbps Router and Non-Blocking Matrix Switch



- **Fiber Optic Non-Blocking Matrix Switch**
- **Configurations include; up to 640 directional switching or up to 320 x 320 duplex ports for bi-directional non-blocking switching**
- **Compatible with Velocity KVM and Video Extenders from Thinklogical**
- **Each Video Connection Supports 6.25 Gbps**
- **Single-Mode and Multi-Mode Fiber Optic Capability**
- **Redundant, Hot-Swappable, and Current Sharing Power Supplies Modules**
- **Hot Swappable, 16 Ports Scalability for In and Out Cards**
- **Hot Swappable SFP+ Optical Port Connections**
- **Protocol Agnostic**

The Logical Solution - Routing Video and Peripheral Signals

The VX 320 is a high performance modular router and non-blocking matrix switch for complete, end-to-end routing of video and peripheral signals over multi-mode or single-mode fiber optic cable. This highly reliable and resilient router is expandable from 16 x 16 up to 640 x 640. In addition, the switch can also be configured for bi-directional switching and routing of data and video, up to 320 x 320 (non-blocking). This allows for flexible deployment configurations for a variety of computing environments.

The VX 320 is a 6.25 Gbps Router Designed for Mission Critical Applications

Designed to improve operational efficiency and maximize resources, the VX 320 offers unrivalled scalability, signal integrity, and control flexibility. The highly robust router design supports advanced, real time applications in environments such as broadcast, post-production, government, medical, military, and corporate. The unmatched 6.25 Gbps signal capability supports high resolution video formats. In addition the VX320 is a protocol agnostic solution, therefore it supports all high data rate signals.



The System – Hot-Swappable and Redundant

The inspired modular approach of the VX 320 allows for all critical system components including power supplies, cooling fans and pluggable optics (SFP+) to be hot-swappable, thus minimizing business impact in the unlikely event a component should fail. The hot-swappable I/O boards also provide excellent in-service expansion capabilities in convenient steps of 16, thus allowing the VX 320 to be reconfigured without interrupting signal processing by powering down the router. In addition, the dual redundant power supplies ensure continuous, uninterrupted power.

The VX 320 is controlled via an external Linux or Windows computer. This allows for customization as well as ease of control and administration with access provided via a network connection (browser), or a serial port for 3rd party controller integration (such as Crestron, AMX or home-spun interfaces). Moreover, the VX 320 is equipped with industry-standard LC type fiber connectors and offers unprecedented integration with Thinklogical's Velocity Series of fiber optic KVM and video transmitters and receivers.

True 320 x 320 Non-Blocking Fiber Matrix Architecture

The VX Router series provides users with non-blocking switching capability. The obvious advantage to this is greater switching flexibility in one chassis, allowing for multiple input signals to be available at one output. In addition, this configuration offers even greater flexibility than a standard non-blocking switch, since the fiber optic links support bi-directional capabilities, ultimately switching up to 640 signals. The VX 320 is also configurable with a mix of multi-mode and single mode versions of I/O cards, which supports both short and long haul applications.

Enhanced diagnostics and alarms

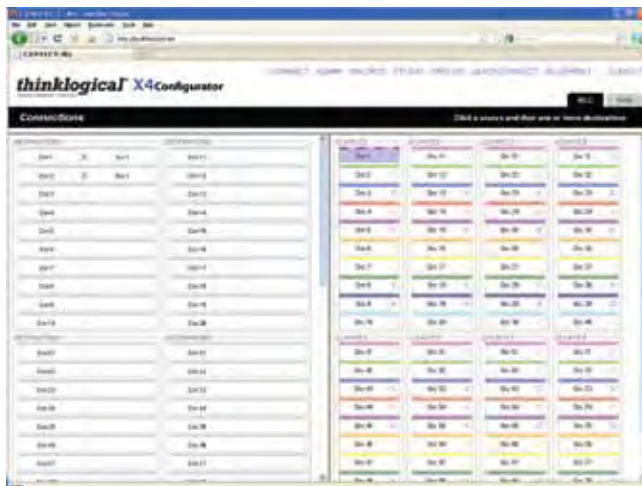
The VX 320 provides extensive real-time monitoring and diagnostics of the internal product operating temperature, power supply voltages, I/O fiber links, fans, and other critical functions of the router. Redundant Controllers have LED indicators to provide active and fault monitoring, while the system alarms can be configured to trigger an external control system, generate SNMP traps, or generate email notifications.

Provides Comprehensive Control Features using Thinklogical's X4 Configurator Control Software

The VX 320 is engineered with a range of innovative Thinklogical control features designed to simplify operation in mission critical visualization environments. Thinklogical's X4 Configurator is an advanced GUI which provides convenient user interface to the router from remote locations.

The X4 Configurator allows for easy and intuitive setup and control of the switching between source computer or video entities and user display destinations such as desktops, theaters, conference rooms, editing suites, control consoles, video walls, biomedical imaging arenas, satellite mapping, etc. In addition, single video sources may be multi-cast (one to more than one) or broadcast (one to all) to desired destinations.

Macro presets may be created for saving and recalling commonly used input and output ties. A dedicated preview output option provides a view of all available input signals before switching to a live output. This eliminates the possibility of these signals being inadvertently routed to a live program during a presentation and allows for program outputs to remain available for signal distribution.



Standard X4 Configurator GUI Option



Studio X4 Configurator GUI Option

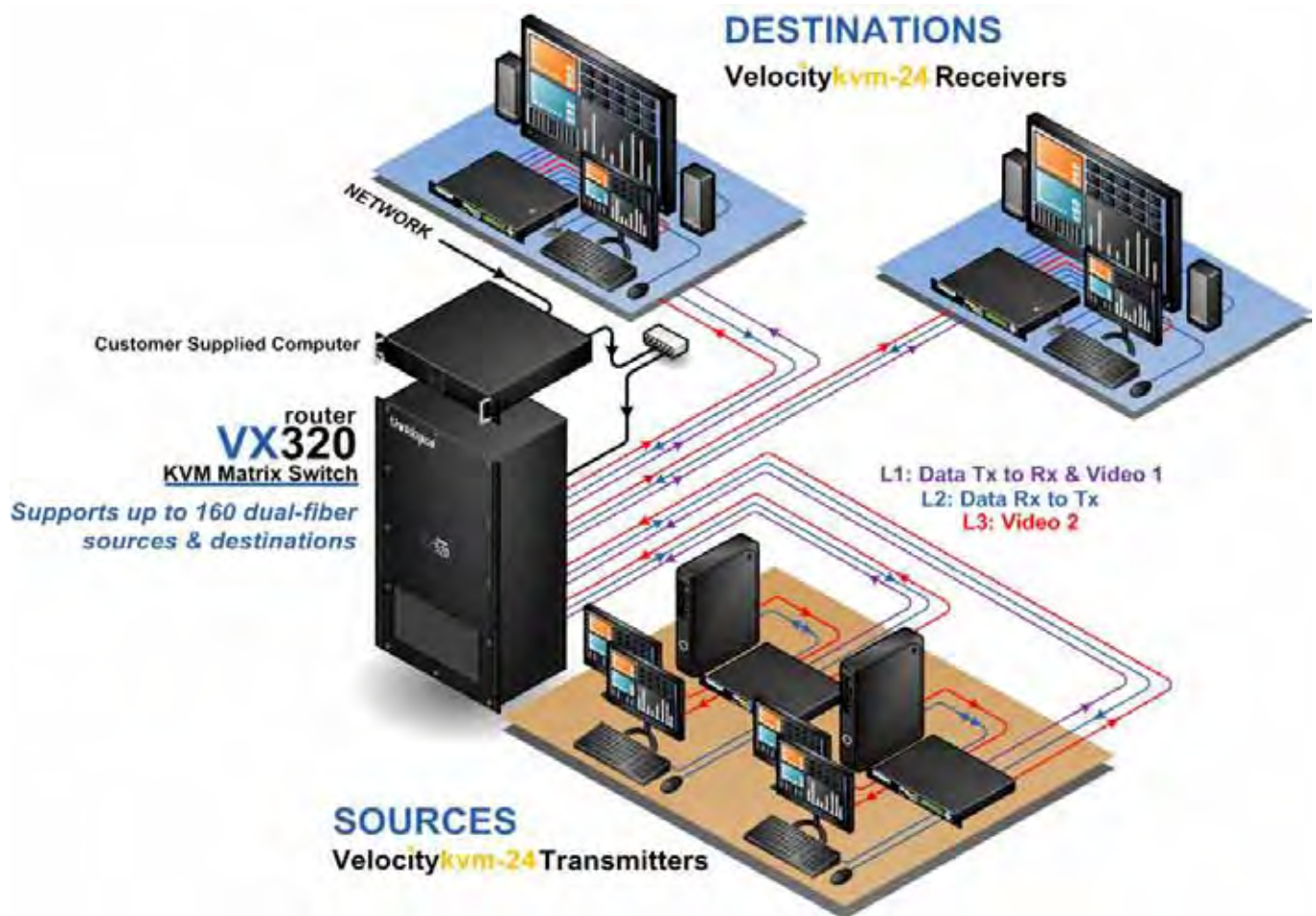
Touch Panels

Thinklogical also provides users with control touch panels. With several sizes to choose from (5.7", 8.9", and 17"), they provide tremendous flexibility in external routing control. The touch panel simply connects to your network and provides the X4 Configurator interface, in a variety of locations, right at your fingertips.



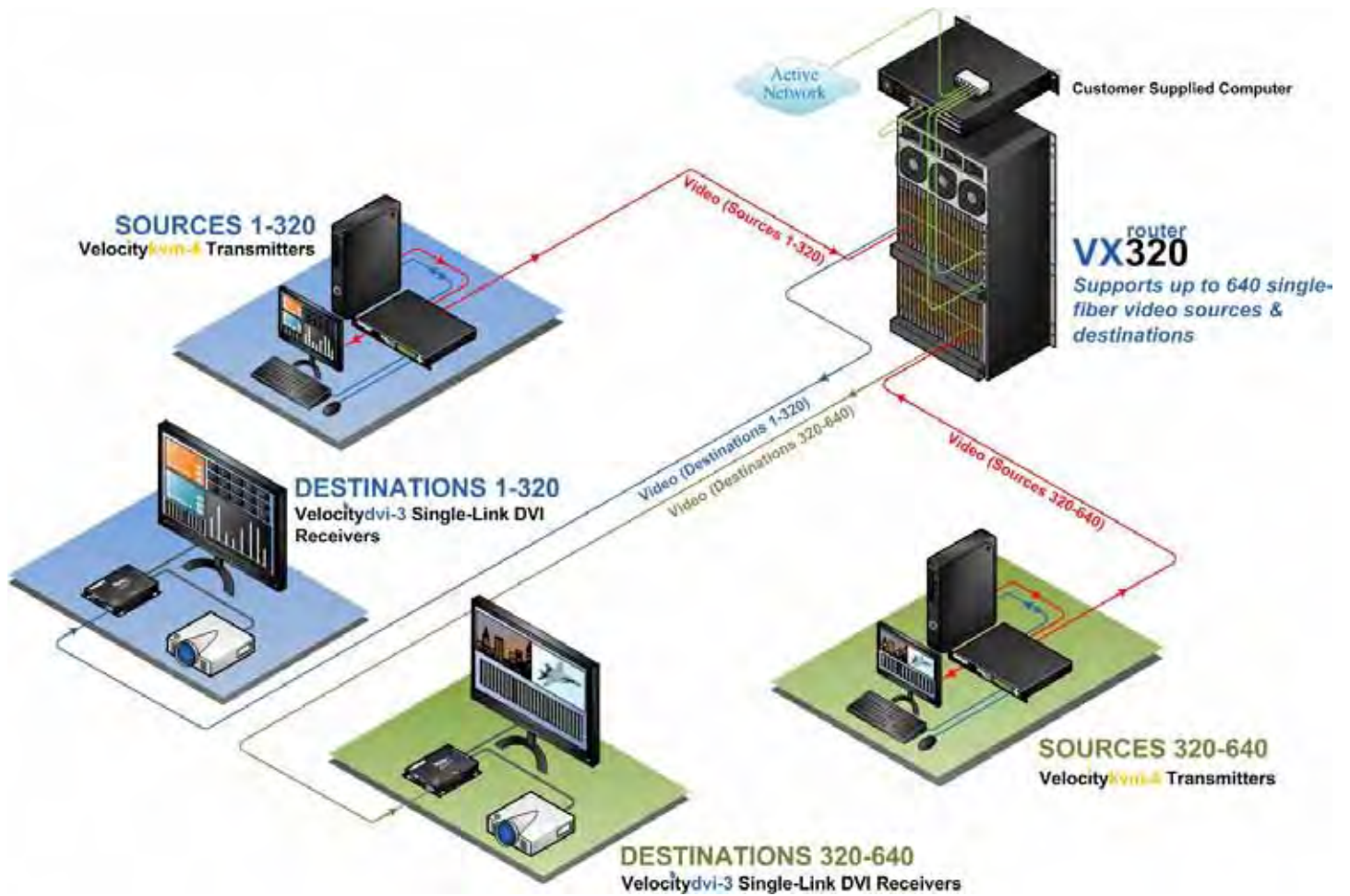
Shown: 5.7" and 17"

VX 320 Router System Application Example Up to a 320 x 320 Bi-Directional Configuration Routing Data and Video



System Design: VX 320 Router, KVM Extension provided by VelocityKVM-24 (supports two DVI Displays)

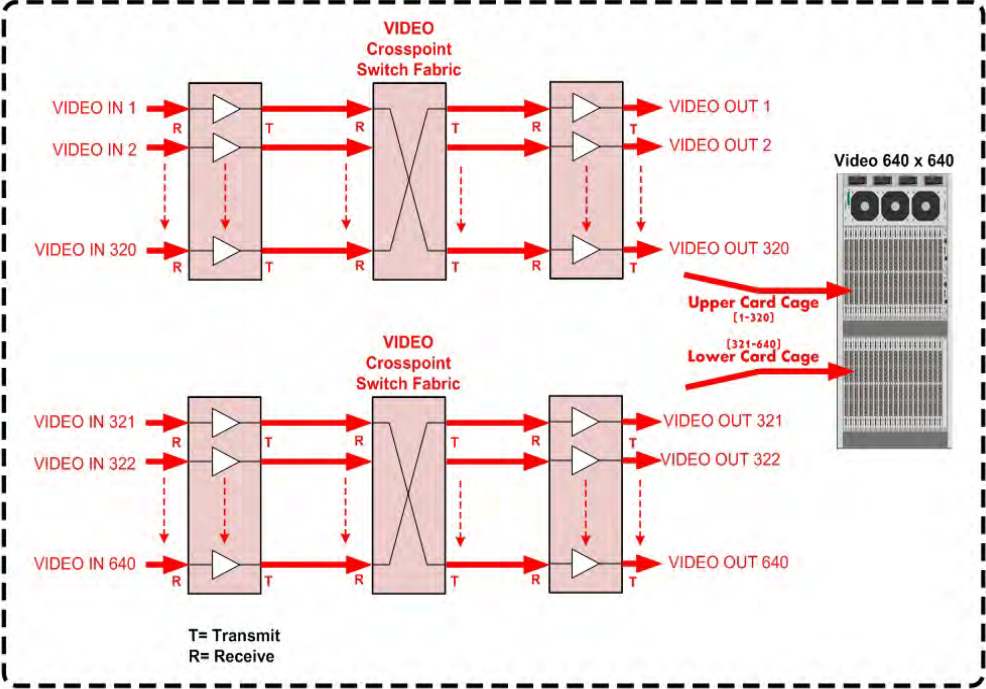
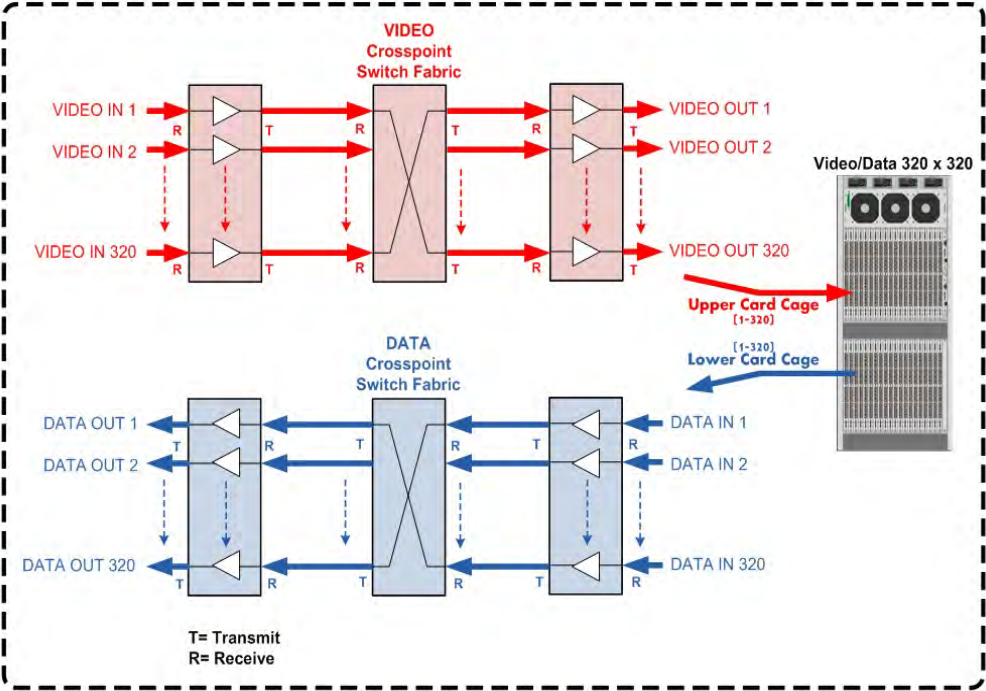
VX 320 Router System Application Example Up to a 640 Directional Configuration Routing Video



System Design: VX 320 Router, DVI Video Extension provided by VelocityDVI 3

VX320 KVM Matrix Switch

Video/Data Routing Configurations



Key Features

- 640 Directional Fiber Matrix Switch
- 320 x 320 Duplex Fiber Ports for Bi-Directional Non-Blocking Matrix Switching
- Compatible with Velocity KVM and Video Extenders from Thinklogical
- Single-mode and Multi-mode Capability
- Each Connection is 6.25 Gbps
- Redundant, Current Sharing Power Supply Modules, Hot Swappable
- 16 Ports Scalability for In and Out Cards, Hot Swappable
- Redundant Controller Card (optional)
- Single Fan Tray with Annunciator Port (for alarms) Hot Swappable
- Controllable via LAN or Serial Connection
- SNMP Control Protocol
- Control/Administration GUI Included
- Multicasting and Macros Supported

Technical Specifications

Humidity	5-95% RH, non-condensing	Ports	16 x 16 minimum configuration – Up to 320 x 320
Operating Temperature	0-50° C (32-122° F)	Power Requirements	AC Input: 100-240VAC, 47-63 Hz Universal AC Power Supply
Physical Dimensions	Rack Size: EIA 19" (48.26 cm) Height: 42" (24 RU) Width: 17.19" (43.7 cm) Depth: 18.75" including fiber management trays Shipping Weight: 160 lbs.	Power Consumption	Approximately 1700 Watts Fully Loaded

Ordering Information - Part Number and Description

VX 320 Video ROUTER

VXR-000320 Velocity Matrix Router 320 Chassis

VELOCITY MATRIX ROUTER 160

Spare Parts

VXM-000008 Spare Controller
VXM-000009 Spare Fan Module
VXM-000010 Spare Power Module

VX 320 DATA CARDS

VXM-D00016 Velocity Matrix Router 320 Data Input/Output Card, 16 Ports, SFP+, Multi-Mode
VXM-D00S16 Velocity Matrix Router 320 Data Input/Output Card, 16 Ports, SFP+, Single Mode
VXM-D0X016 Velocity Matrix Router 320 Data Input/Output Card for SDI Xtreme 3G, 16 Ports, SFP+, Multi-Mode
VXM-D0XS16 Velocity Matrix Router 320 Data Input/Output Card for SDI Xtreme 3G, 16 Ports, SFP+, Single Mode
VXM-D00E16 Velocity Matrix Router 320 Vacant Data Input/Output Card, 16 Ports, No SFP+ (Please contact your Thinklogical Sales representative for SFP+ Options)

thinklogical™

100 Washington Street
Milford, CT 06460 USA

Contact a Thinklogical Sales Representative at
sales@thinklogical.com or (203) 647-8700